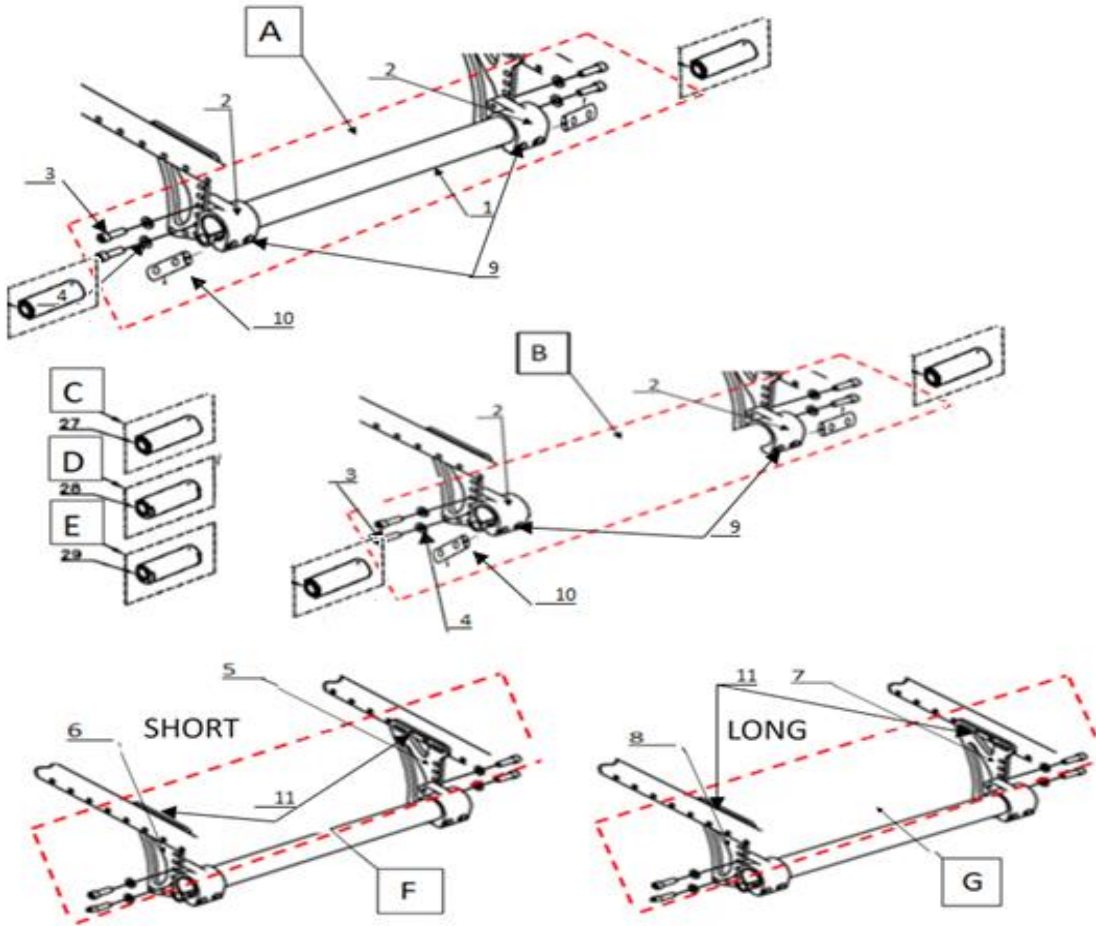


Zephyr Adjustable Axle Tube / Axle Plates



Ver. 1 03/07/24
Section 3900



POS	Assy #	#	Parts #	QTY	Color	Remark	MSRP	NOTE	
A	3900-01A	1	1	Blk	13" Seat Width	1set By Chair Seat Width		1set/chair	
			1	Blk	13.5" Seat Width				
			1	Blk	14" Seat Width				
			1	Blk	14.5" Seat Width				
			1	Blk	15" Seat Width				
			1	Blk	15.5" Seat Width				
			1	Blk	16" Seat Width				
			1	Blk	16.5" Seat Width				
			1	Blk	17" Seat Width				
			1	Blk	17.5" Seat Width				
			1	Blk	18" Seat Width				
			1	Blk	18.5" Seat Width				
			1	Blk	19" Seat Width				
		2	05-15-002-1A	2	Blk	Axle Clamp			
		3	0313-300	4	Sil	1/4"-20 L:1 1/2" SHCS			
		4	0277-300	4	Sil	1/4" Washer			
		9	0110-300	4	Sil	1/4"-20 L:1" SHCS			
		10	0170-420	2	Sil	Saber Locking Nut			
B	3900-01B		2	05-15-002-1A	2	Sil	Axle Clamp	per set	1sets/chair
			3	0313-300	4	Sil	1/4"-20 L:1 1/2" SHCS		
			4	0277-300	4	Sil	1/4" Washer		
			9	0110-300	4	Sil	1/4"-20 L:1" SHCS		
			10	0170-420	2	Sil	Saber Locking Nut		
C	-	27	05-13-006-0B	1	Blk	Axle Receiver 0 Camber	per pcs	2pcs/chair	
D	-	28	05-13-007-0B	1	Blk	Axle Receiver 2 Camber			
E	-	29	05-11-014-0B	1	Blk	Axle Receiver 4 Camber			
POS	Assy #	#	Parts #	QTY	Color	Remark	MSRP	Note	
F	3900-01C		5	05-15-001-1RH	1	Blk	Right Short Axle Plate		
			6	05-15-001-1LH	1	Blk	Left Short Axle Plate		
			11	0111-301	4	Blk	1/4"-20 L:1 1/2" BHCS		
G	3900-01D		7	05-15-011-2RH	1	Blk	Right Long Axle Plate		
			8	05-15-011-1LH	1	Blk	Left Long Axle Plate		
			11	0111-301	4	Blk	1/4"-20 L:1 1/2" BHCS		